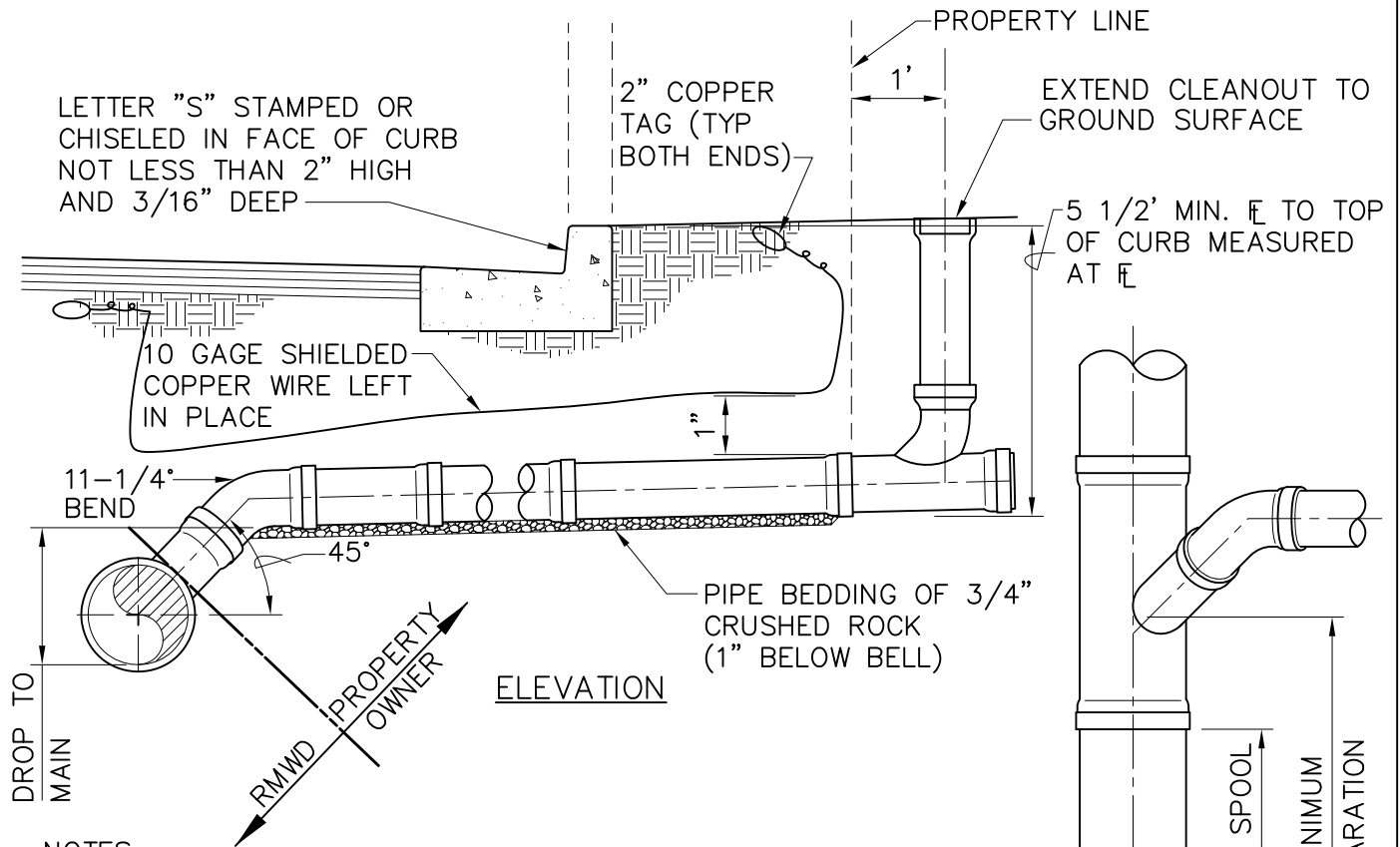
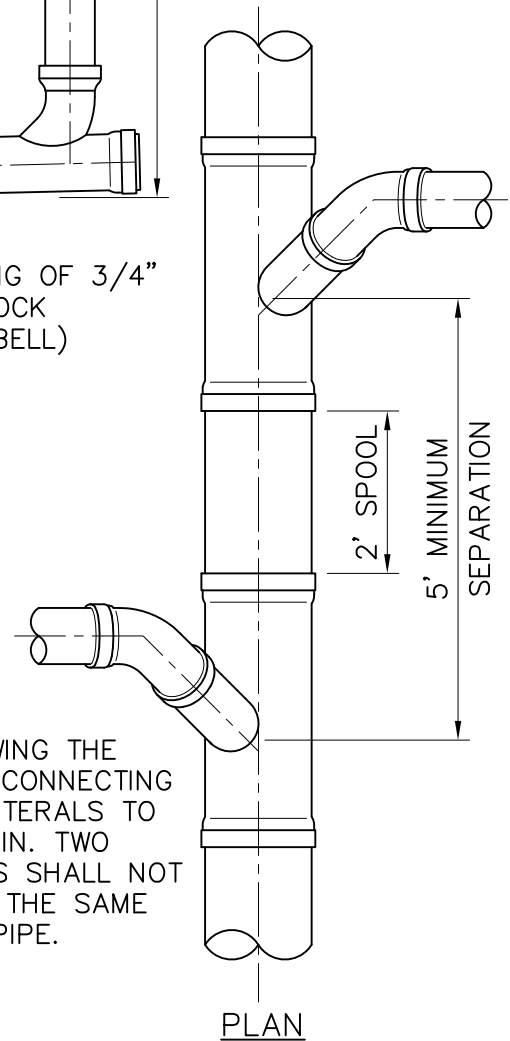
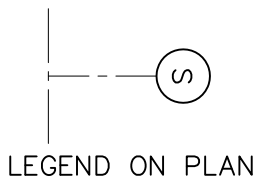


W:\Engineering\04\_Standards\_PDFs\2011\_Standards\_Drawings\Drawings\Drawings\Sewer\_CAD11\2011-S8 12/15/2011 11:02 AM



**NOTES:**

1. IN NO CASE SHALL A LATERAL CONNECT TO THE SEWER MAIN DIRECTLY ON TOP OF THE PIPE.
2. SEWER LATERALS SHALL HAVE A MIN. SLOPE OF 2%.
3. ALL JOINTS ON SEWER LATERAL PIPE SHALL BE COMPRESSION TYPE OR APPROVED SOLVENT WELD. LATERAL SHALL EXTEND TO PROPERTY LINE UNLESS OTHERWISE SHOWN ON PLANS.



DETAIL SHOWING THE MANNER OF CONNECTING OPPOSITE LATERALS TO A SEWER MAIN. TWO CONNECTIONS SHALL NOT BE MADE IN THE SAME LENGTH OF PIPE.



**RAINBOW MUNICIPAL WATER DISTRICT**

APPROVED: <i>Jim C. Lee</i>		
RCE # 55790 EXP.12/31/2012		
REVISION	APPROVED	DATE

**NEW INSTALLATION  
PVC SEWER LATERAL**

STANDARD DRAWING NO.

**S-8**

DECEMBER 2011